

MB CONVEYORS SOLUTIONS



PRODUCT OVERVIEW



mbconveyors.com



MB Conveyors

GREEN (R)EVOLUTION



GENERAL INDEX

- **CONVEYING** P.4
 - T100
 - PA 110
 - PA 180
 - RUF
- **ROBOT FEEDING** P.6
 - PA ROBOT
 - PAR
- **BESIDE IMM** P.7
 - N-TR
 - CP SMART
 - CPT SMART
 - N-CPR
 - N-CPTR
 - CP 21
 - CPT 21
- ● **HIGH TEMPERATURES AND ELECTROSTATIC CHARGES** P.11
 - CP TP
 - CPT TP
 - PA TP
- ● **HIGH TEMPERATURES AND METAL COMPONENTS** P.12
 - PA TM
 - CP TM
 - CPT TM
- **SEPARATION** P.14
 - N-CPST
 - N-SRS
 - N-FSRV
 - FSRV PLUS
 - SM-SR-SQ
- **PACKAGING & ASSEMBLY** P.17
 - T50
 - MB 110
 - CPS
 - EV600
 - EV800-1000
- **STORAGE SYSTEMS** P.20
 - N-DUCK
 - E-DUCK
 - TVC-TVS-TVCD
 - CAR
 - CAV
- **PET** P.23
 - T-CONVEYOR
 - SOFT DROP
 - ELECTRIC SOFT DROP
 - PV
- **MB CONTROL UNITS** P.27
- **BELT DETAILS** P.30

MB

Conveyors

/ GREEN DEAL

|| A new philosophy

NEW CONFIGURATION DRIVE UNITS

- + World-wide assistance and reliability
- + Efficiency
- Power required = energy saving



NEW BELT SPECIFICATIONS

- + Quality and longer product life cycle
- Less plastic waste

NEW SIDE CONTAINMENT PANELS AND PIVOTS IN DIE-CAST ALUMINIUM

- + Mechanical strength and sturdiness
- + Improved dispersion of electrostatic charges
- Environmental impact

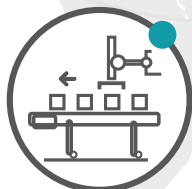
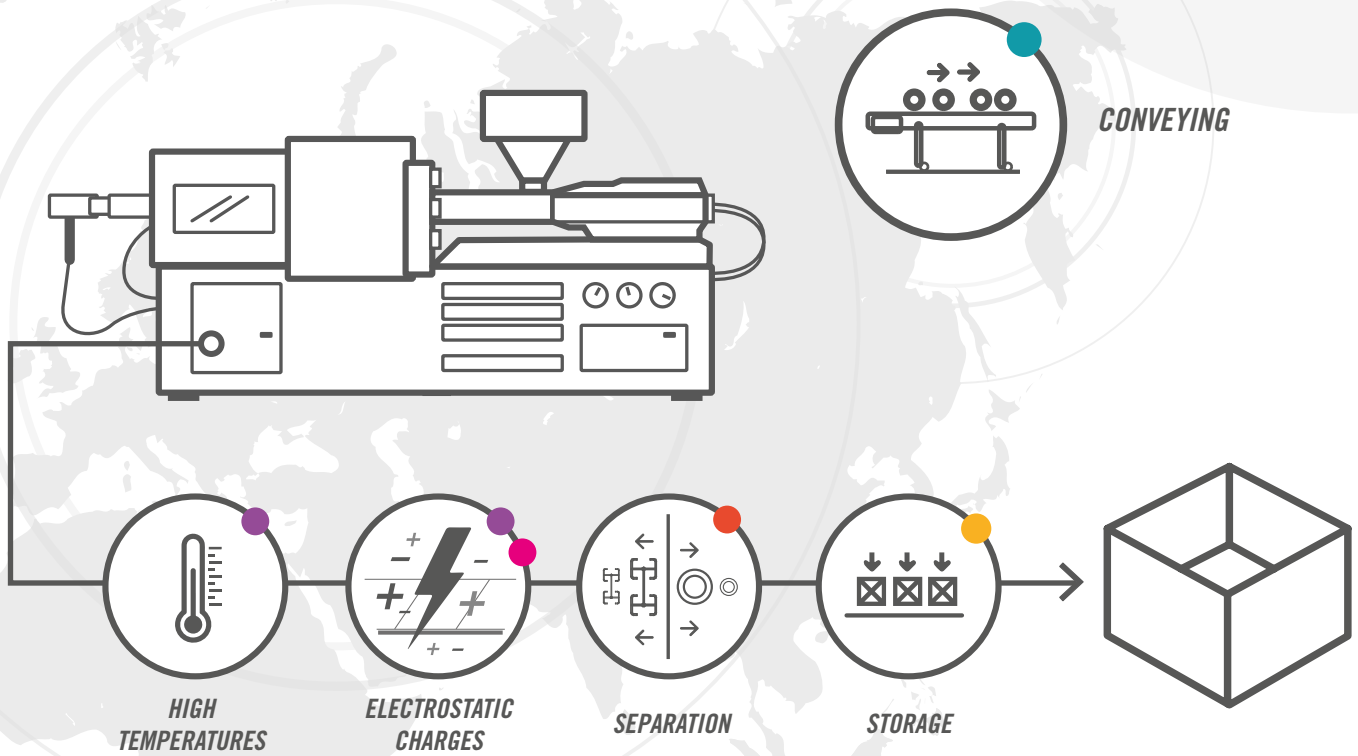


NEW MB SWITCH ON/OFF SWITCHES

- + Protection: electronic current limiter
- + M12 metallic connectors for remote activation
- + Ready for integration with company communication network



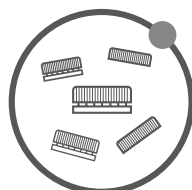
OUR MISSION



ROBOTS



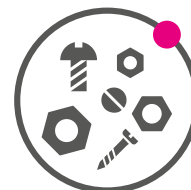
PET



CAPS



ASSEMBLY



METALLIC PRODUCTS

MB CONVEYORS 6 FEBRUARY 1985

"There is no single conveyor for every requirement, but every requirement needs a dedicated conveyor"

Giordano Molon

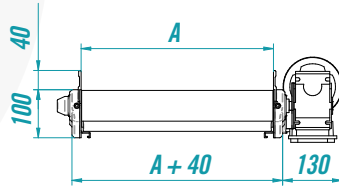
GIORDANO MOLON

Gianpietro Baldisserotto

GIANPIETRO BALDISSEROTTO

T100

Flat conveyor



DRIVE UNIT

- Power: 0.09 kW
- Speed: 5.5 m / min fixed
- Voltage: 400V / 50 Hz

CONVEYOR BELT

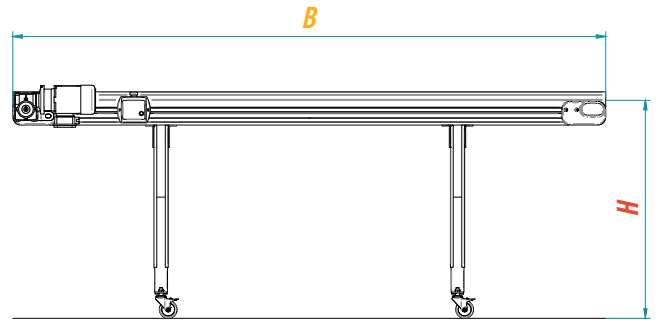
- PU coating hardness: 92 Shore A
- Contact temperature: -10 + 110°C
- Operating temperature: -10 + 90°C

Length

From 1 to 6 m

Capacity

Total
KG. 50



A

min 100 mm
max 600 mm

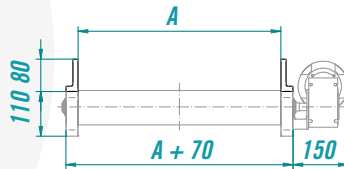
B

min 600 mm
max 6000 mm

H

min 200 mm
max 2000 mm

PA 110



DRIVE UNIT

- Power: 0.12 kW
- Speed: 5.8 m / min fixed
- Voltage: 400V / 50 Hz

CONVEYOR BELT

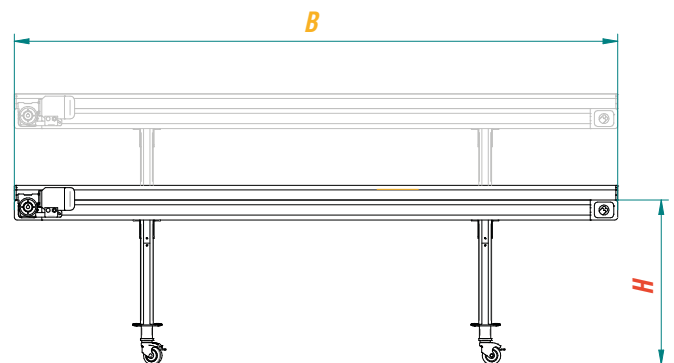
- PU coating hardness: 92 Shore A
- Contact temperature: -10 + 110°C
- Operating temperature: -10 + 90°C

Length

From 1 to 20 m

Capacity

Total
KG. 200



A

min 100 mm
max 2000 mm

B

min 600 mm
max 20 m

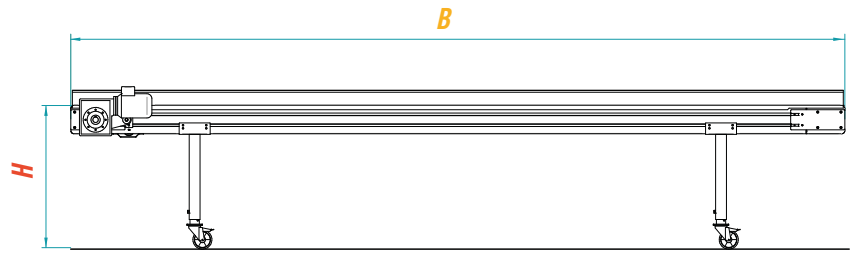
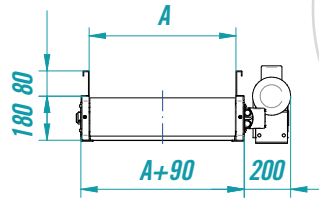
H

min 200 mm
max 2000 mm



PA 180

Flat conveyor



↓ Length

From 1 to 60 m

↓ Capacity

Total
KG. 300

DRIVE UNIT

- Power: suited to dim. and capacity
- Drive roller: \varnothing 120/160 mm
- Voltage: 400 V / 50 Hz
- Minimum and maximum temperatures supported by belt: from -30°C to $+90^{\circ}\text{C}$

A

min 200 mm
max 2000 mm

B

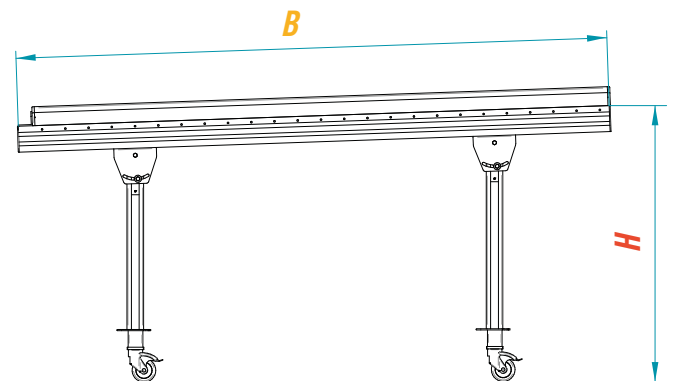
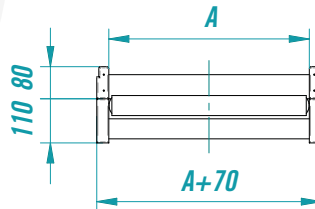
min 1000 mm
max 60 m

H

min 350 mm
max 2000 mm

RUF

Idle roller conveyor



↓ Length

on request:

↓ Capacity

on request:

- Idle roller table without drive unit
- Mechanical stop at end of travel to stop the containers
- Fe galvanized tubular legs

A

min 200 mm
max 1000 mm

B

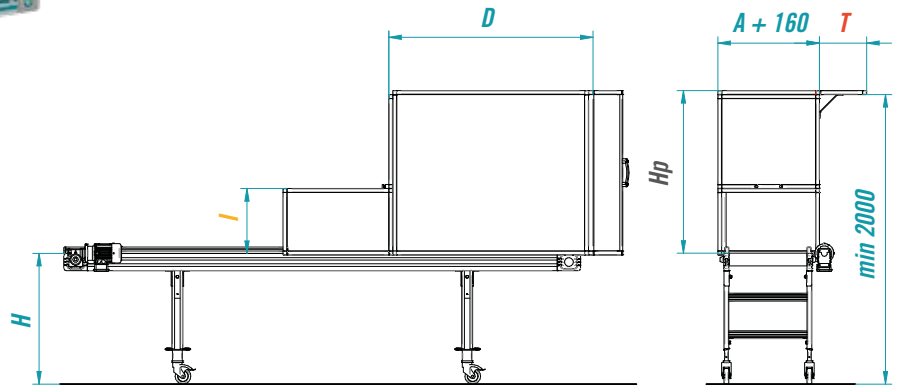
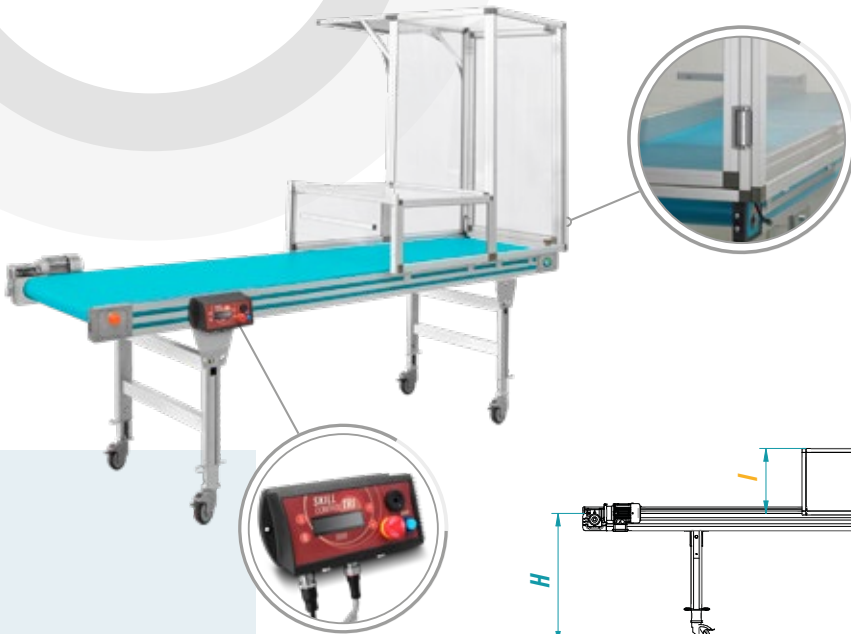
min 1000 mm
max 6000 mm

H

min 600 mm
max 2000 mm

PA110 ROBOT | Flat conveyor to work with robot

→ WORKING WITH ROBOT



D

min 500 mm
max 2000 mm

I

min 200 mm
max 800 mm

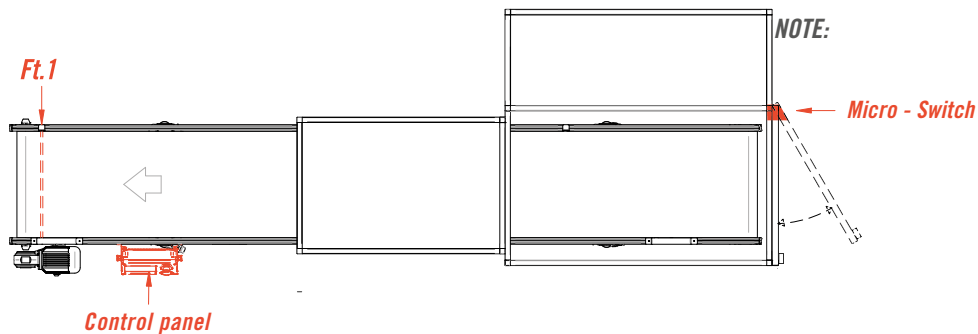
T

min 200 mm
max 800 mm

Hp

min 500 mm
max 1500 mm

Standard electrical system



AVAILABLE OPERATING LOGIC

○ PULSE

- The Robot deposits the product on the conveyor and transmits a voltage-free A/C signal to the MB Base Control panel
- The panel starts the conveyor for the set Start time
- When the Start time ends, the conveyor stops and waits for the next signal from the Robot

○ FEEDER

- The Robot deposits the product on the conveyor and transmits a voltage-free A/C signal to the MB Base Control panel
- The panel starts the conveyor for as long as the signal from the Robot lasts
- When the signal from the Robot terminates, the conveyor stops until the next signal is received.

EQUIPMENT SUPPLIED

○ Photocell Ft.1

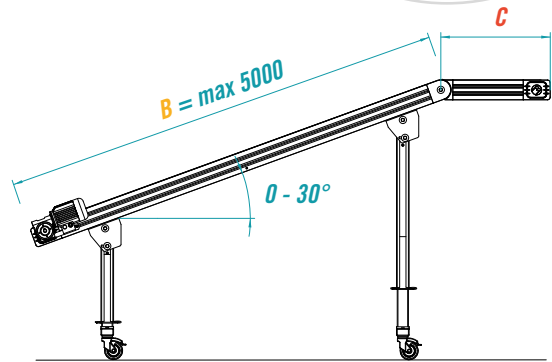
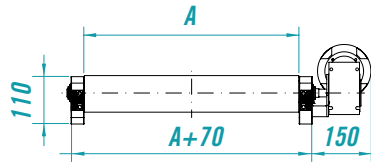
when the product enters its field of view, the photocell sends a "crowding" signal to the panel, which stops the conveyor, activates an audible alarm and provides the Robot with a stop signal



PAR

Conveyor with adjustable upper section

→ WORKING WITH ROBOT



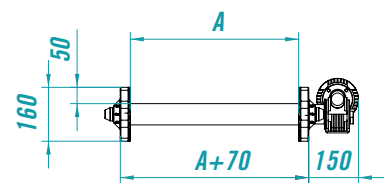
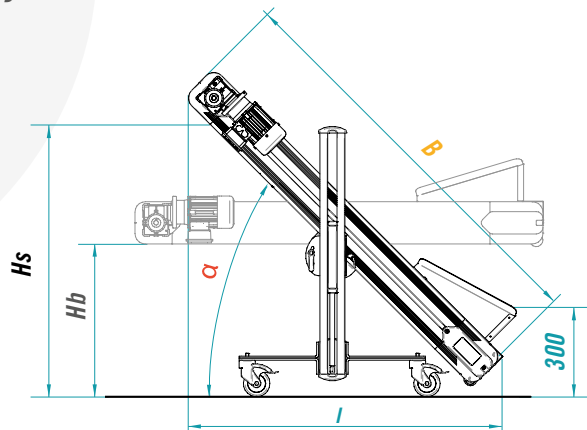
- Power: 0.12 kW
- Speed: 5.8 m / min fixed
- Voltage: 400V / 50 Hz
- High-grip belt in PVC

A	B	C
min 100 mm	min 600 mm	min 600 mm
max 1200 mm	max 5000 mm	max 1000 mm

N-TR

Adjustable inclined conveyor

→ BESIDE IMM



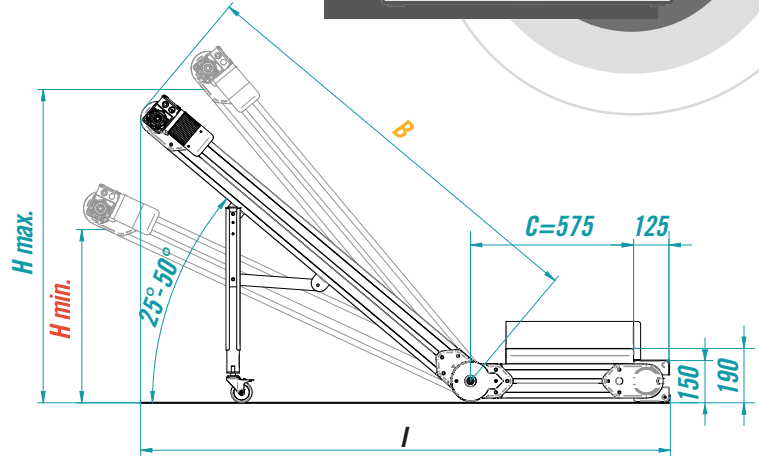
- Power: 0.12 kW
- Speed: 4.5 m / min. fixed
- Voltage: 400 V / 50 Hz
- PU belt with h 35 mm slats, pitch 400 mm

	A	B	α	Hb	Hs
N-TR 3/15	340 mm	1500 mm	0° - 45°	550 mm	900 mm
N-TR 3/20	340 mm	2000 mm	0° - 40°	550 mm	1100 mm
N-TR 3/25	340 mm	2500 mm	0° - 35°	550 mm	1250 mm
N-TR 4/15	440 mm	1500 mm	0° - 45°	550 mm	900 mm
N-TR 4/20	440 mm	2000 mm	0° - 40°	550 mm	1100 mm
N-TR 4/25	440 mm	2500 mm	0° - 35°	550 mm	1250 mm
N-TR 5/20	540 mm	2000 mm	0° - 40°	550 mm	1100 mm
N-TR 5/25	540 mm	2500 mm	0° - 35°	550 mm	1250 mm
N-TR 5/30	540 mm	3000 mm	0° - 30°	550 mm	1350 mm

CP SMART

Compact series

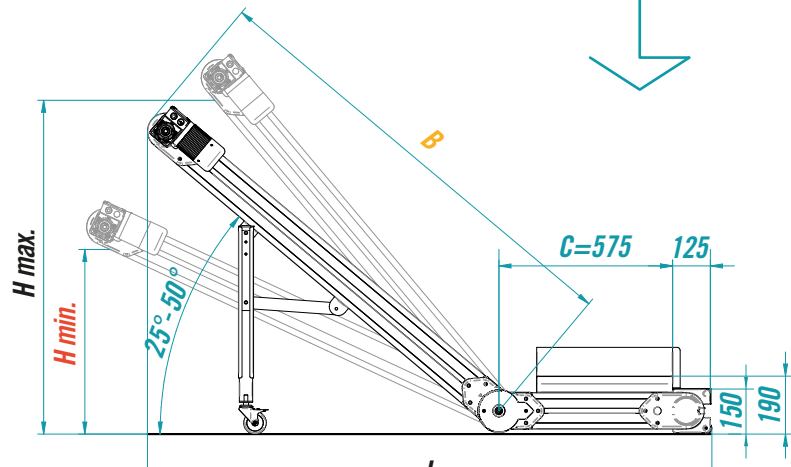
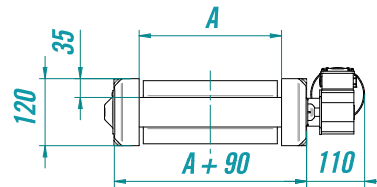
→ IMM: 40/80 tons



- Power: 0.09 kW
- Speed: 4.5 m / min fixed
- Voltage: 400V / 50 Hz
- PU belt with h 20 mm slats, pitch 400 mm
- NOTE : Dim. Max B+C = 3000 mm

	A	B	H min. (25°)	H max. (50°)	I (40°)
Smart CP 0	155 mm	1500 mm	500 mm	1050 mm	1850 mm
Smart CP 1	255 mm	1500 mm	500 mm	1050 mm	1850 mm
Smart CP 2	355 mm	1800 mm	650 mm	1250 mm	2100 mm

CPT SMART



- Power: 0.09 kW
- Speed: 4.5 m / min fixed
- Voltage: 400V / 50 Hz
- PU belt with h 20 mm slats, pitch 400 mm
- NOTE : Dim. Max B+C+D = 3000 mm

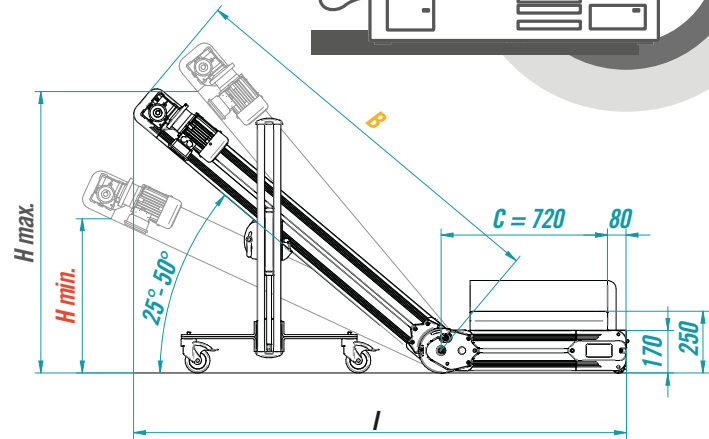
	A	B	H min. (25°)	H max. (50°)	I (40°)
Smart CP 0	155 mm	1500 mm	550 mm	1100 mm	2350 mm
Smart CP 1	255 mm	1500 mm	550 mm	1100 mm	2350 mm
Smart CP 2	355 mm	1800 mm	700 mm	1300 mm	2600 mm



N-CPR

Series with **direction change** and **adjustable inclination**

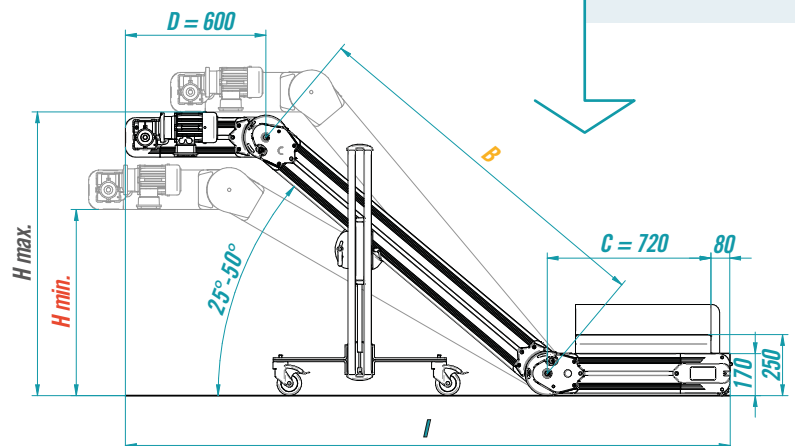
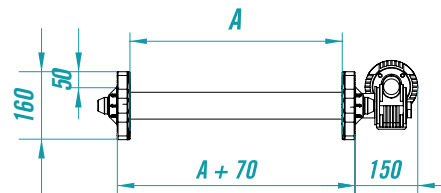
→ IMM: 80/250 tons



- Power: 0.12 kW
- Speed: 4.5 m / min fixed
- Voltage: 400V / 50 HZ
- PU belt with h 35 mm slats, pitch 400 mm
- NOTE : Dim. Max B+C = 6000 mm

	A	B	H min (25°)	H max (50°)	I (40°)
N-CPR.0	140 mm	1500 mm	550 mm	1000 mm	2000 mm
N-CPR.1	240 mm	1500 mm	550 mm	1000 mm	2000 mm
N-CPR.2	340 mm	1800 mm	650 mm	1250 mm	2250 mm
N-CPR.3	440 mm	2000 mm	750 mm	1400 mm	2400 mm
N-CPR.4	540 mm	2000 mm	750 mm	1400 mm	2400 mm

N-CPTR



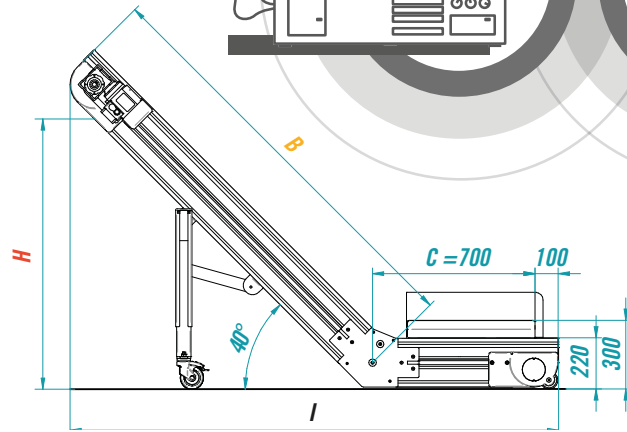
- Power: 0.12 kW
- Speed: 4.5 m / min fixed
- Voltage: 400V / 50 Hz
- PU belt with h 35 mm slats, pitch 400 mm
- NOTE : Dim. Max B+C+D = 6000 mm

	A	B	H min (25°)	H max (50°)	I (40°)
N-CPTR.0	140 mm	1500 mm	600 mm	1100 mm	2500 mm
N-CPTR.1	240 mm	1500 mm	600 mm	1100 mm	2500 mm
N-CPTR.2	340 mm	1800 mm	700 mm	1350 mm	2750 mm
N-CPTR.3	440 mm	2000 mm	800 mm	1500 mm	2900 mm
N-CPTR.4	540 mm	2000 mm	800 mm	1500 mm	2900 mm

CP 21

Series with **direction change and fixed inclination**

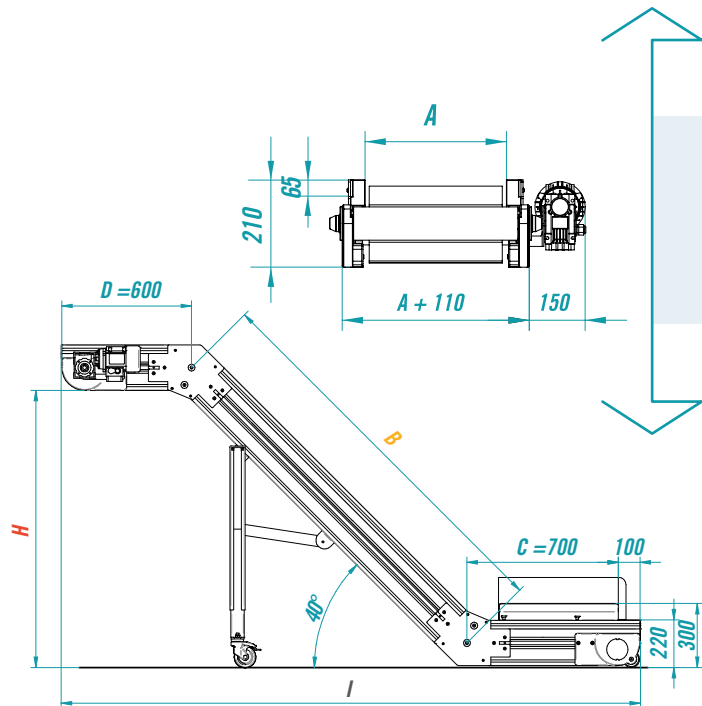
→ IMM: 250/500 tons and PET



- Power: 0.12 kW
- Speed: 5.8 m / min fixed
- Voltage: 400V / 50 Hz
- PU belt with h 35 mm slats, pitch 400 mm

	A	B	H (40°)	I (40°)
CP 21_0	140 mm	1500 mm	850 mm	2000 mm
CP 21_1	240 mm	1500 mm	850 mm	2000 mm
CP 21_2	340 mm	1800 mm	1050 mm	2200 mm
CP 21_3	440 mm	2000 mm	1150 mm	2350 mm
CP 21_4	540 mm	2000 mm	1150 mm	2350 mm
CP 21_5	640 mm	2000 mm	1150 mm	2350 mm

CPT 21



- Power: 0.12 kW
- Speed: 5.8 m / min fixed
- Voltage: 400V / 50 Hz
- PU belt with h 35 mm slats, pitch 400 mm

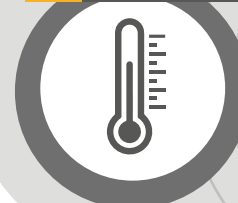
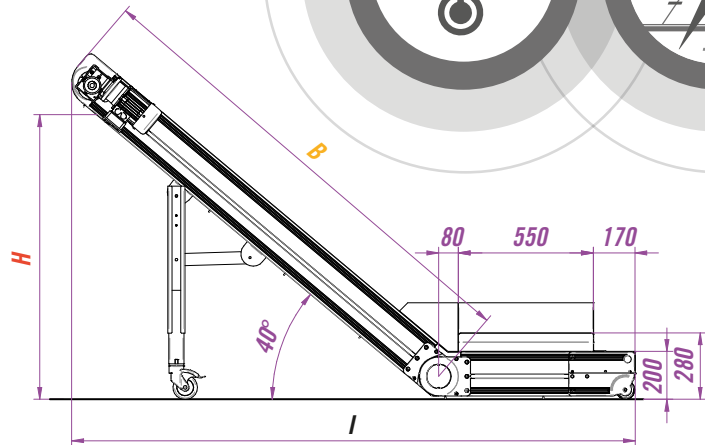
	A	B	H (40°)	I (40°)
CPT 21_0	140 mm	1500 mm	950 mm	2550 mm
CPT 21_1	240 mm	1500 mm	950 mm	2550 mm
CPT 21_2	340 mm	1800 mm	1150 mm	2800 mm
CPT 21_3	440 mm	2000 mm	1250 mm	3000 mm
CPT 21_4	540 mm	2000 mm	1250 mm	3000 mm
CPT 21_5	640 mm	2000 mm	1250 mm	3000 mm



CP TP

Plastic belt conveyor series

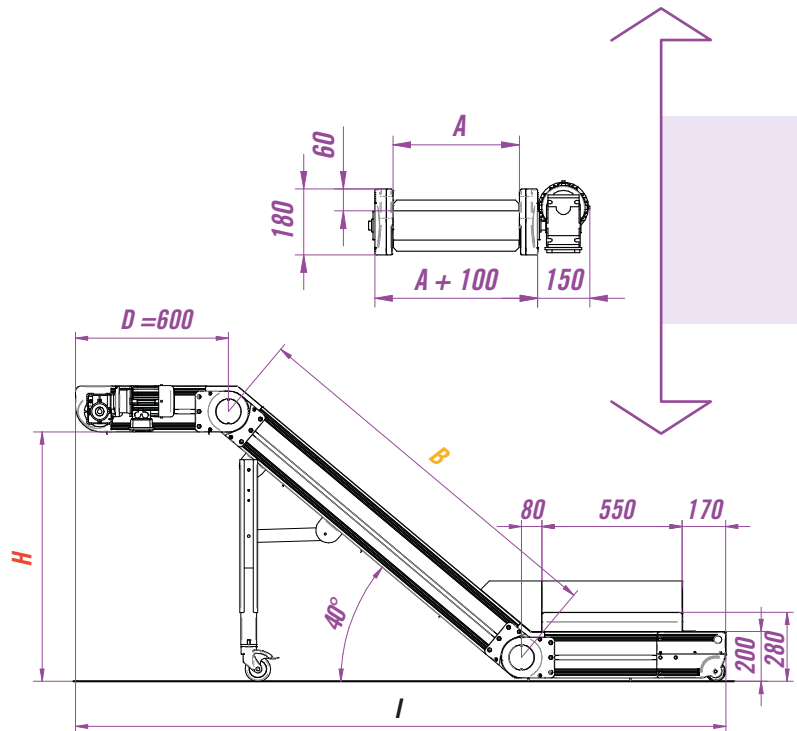
→ High temperatures and electrostatic charges



- Speed: 6.5 m / min fixed
- Voltage: 400V / 50 Hz
- Conveyor belt in glass-fibre reinforced PA6 with 35 mm slats or 45 mm
- Product contact temperature: max 130°C

	A	B	H (40°)	I (40°)
CP-TP 0	175 mm	1500 mm	850 mm	2000 mm
CP-TP 1	275 mm	1500 mm	850 mm	2000 mm
CP-TP 2	375 mm	1800 mm	1050 mm	2200 mm
CP-TP 3	475 mm	2000 mm	1150 mm	2350 mm
CP-TP 4	575 mm	2000 mm	1150 mm	2350 mm

CPT TP

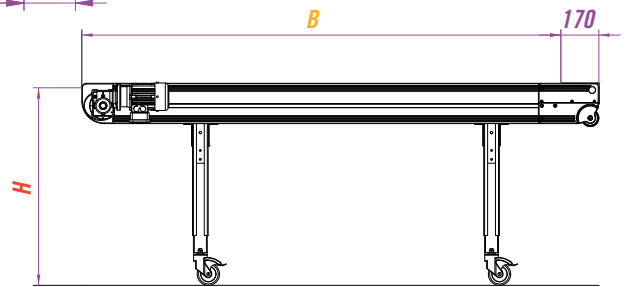
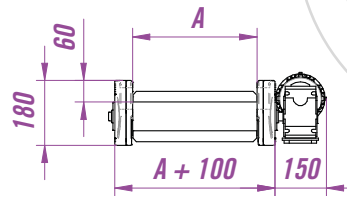


- Speed: 6.5 m / min fixed
- Voltage: 400V / 50 Hz
- Conveyor belt in glass-fibre reinforced PA6 with 35 mm slats or 45 mm
- Product contact temperature: max 130°C

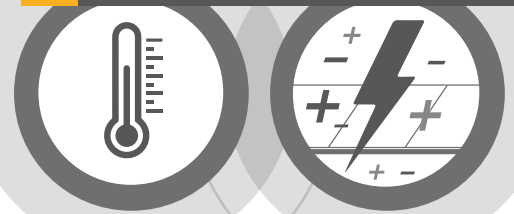
	A	B	H (40°)	I (40°)
CPT-TP 0	175 mm	1500 mm	950 mm	2550 mm
CPT-TP 1	275 mm	1500 mm	950 mm	2550 mm
CPT-TP 2	375 mm	1800 mm	1150 mm	2800 mm
CPT-TP 3	475 mm	2000 mm	1250 mm	3000 mm
CPT-TP 4	575 mm	2000 mm	1250 mm	3000 mm

PA TP

Flat conveyor with plastic belt



→ High temperatures and electrostatic charges

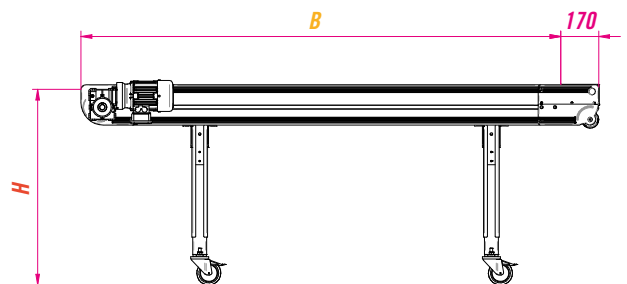
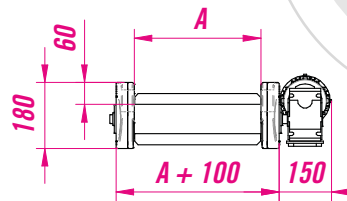


- Speed: 6.5 m / min fixed
- Voltage: 400V / 50 Hz
- Conveyor belt in glass-fibre reinforced PA6
- Product contact temperature: max 130°C

A	B	H
min 175 mm	min 1000 mm	min 300 mm
max 775 mm	max 5000 mm	max 2000 mm

PA TM

Flat conveyor with metal belt



→



- Speed: 5.5 m / min fixed
- Connection voltage: 400V / 50 Hz
- MB metal belt
- Product contact temperature: max 200°C

A	B	H
min 150 mm	min 1000 mm	min 300 mm
max 750 mm	max 5000 mm	max 2000 mm

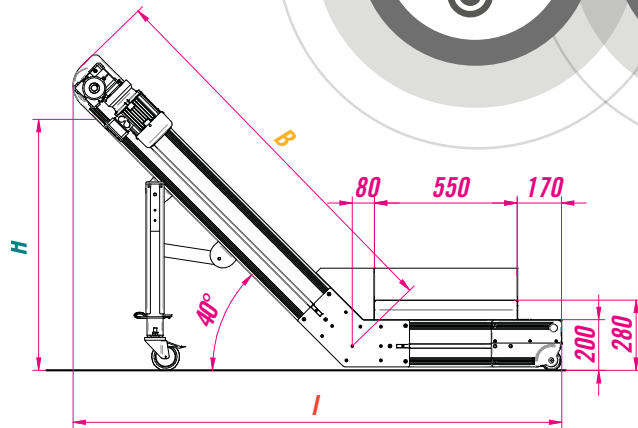


CP-TM

Metal belt conveyor series



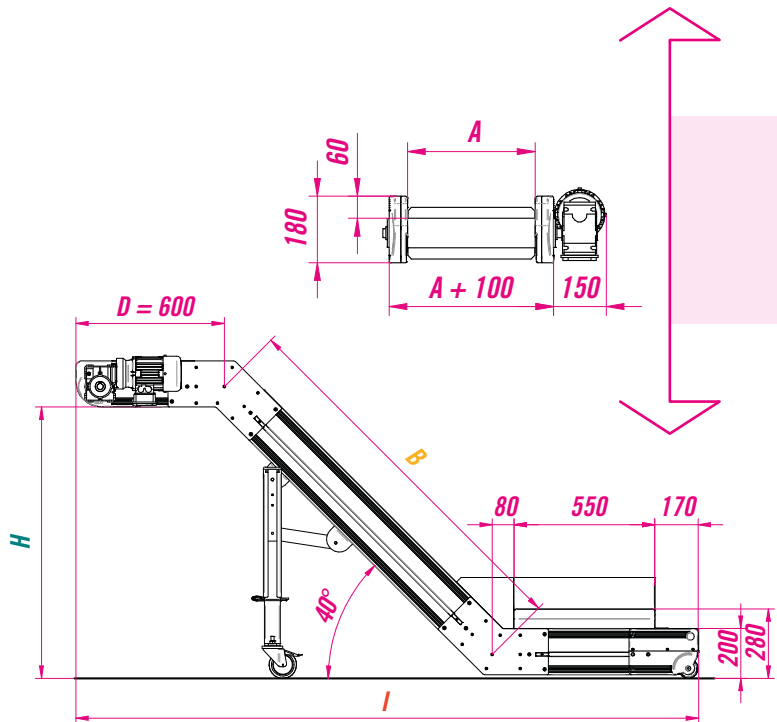
→ High temperatures and metal parts



- Speed: 5.5 m / min fixed
- Voltage: 400V / 50 Hz
- MB metal belt with h 30 mm slats
- Product contact temperature: max 200°C

	A	B	H (40°)	I (40°)
CP-TM 0	150 mm	1500 mm	850 mm	2000 mm
CP-TM 1	250 mm	1500 mm	850 mm	2000 mm
CP-TM 2	350 mm	1800 mm	1050 mm	2200 mm
CP-TM 3	450 mm	2000 mm	1150 mm	2350 mm
CP-TM 4	550 mm	2000 mm	1150 mm	2350 mm

CPT-TM



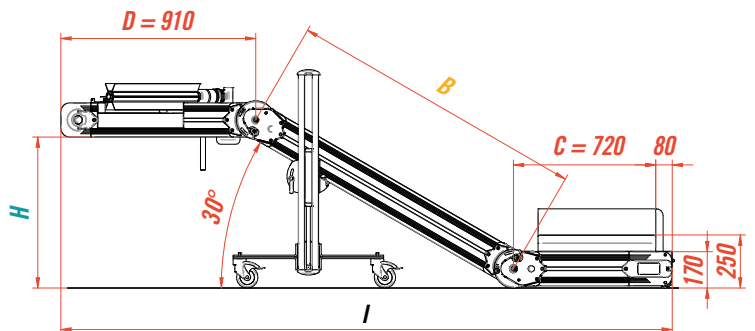
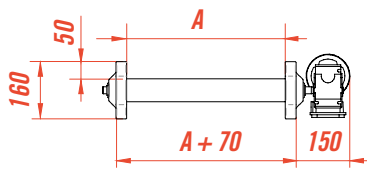
- Speed: 5.5 m / min fixed
- Voltage: 400V / 50 Hz
- MB metal belt with h 30 mm slats
- Product contact temperature: max 200°C

	A	B	H (40°)	I (40°)
CP-TM 0	150 mm	1500 mm	950 mm	2550 mm
CP-TM 1	250 mm	1500 mm	950 mm	2550 mm
CP-TM 2	350 mm	1800 mm	1150 mm	2800 mm
CP-TM 3	450 mm	2000 mm	1250 mm	3000 mm
CP-TM 4	550 mm	2000 mm	1250 mm	3000 mm

N-CPST

Conveyor with paddle separator

→ SEPARATION



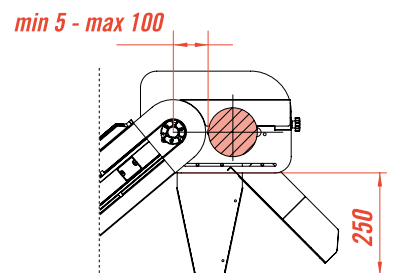
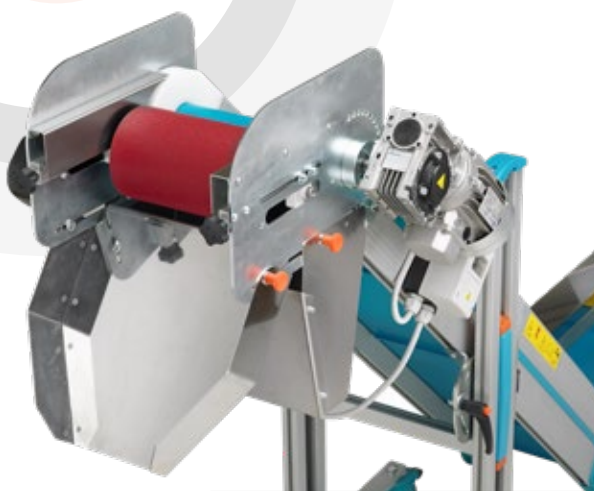
SEPARATOR DRIVE UNIT

- Power: 0.09 kW
- Rotation speed: 70 rpm
- Voltage: 400V / 50 Hz

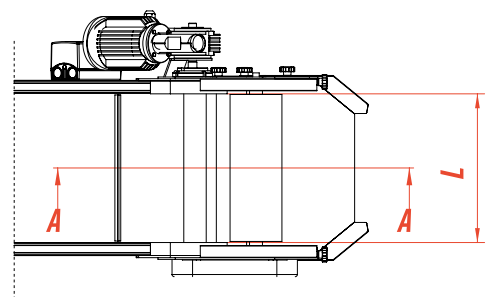
	A	B	H (30°)	I (30°)
N-CPST.0	140 mm	1300 mm	650 mm	2850 mm
N-CPST.1	240 mm	1300 mm	650 mm	2850 mm
N-CPST.2	340 mm	1800 mm	900 mm	3250 mm
N-CPST.3	440 mm	1800 mm	900 mm	3250 mm

N-SRS

Conveyor with single roller separator



Section A - A



- The standard version of the separator roller is covered by oil- and grease-resistant food-grade PVC with a high-grip surface
- In some cases, pins are installed on the separator roller to improve the grip

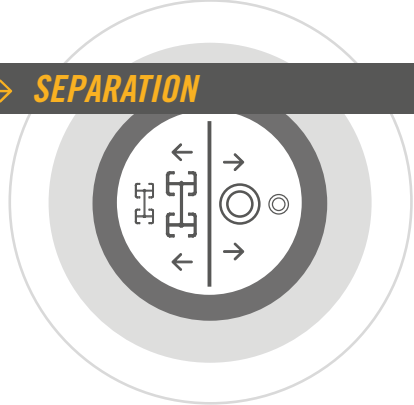
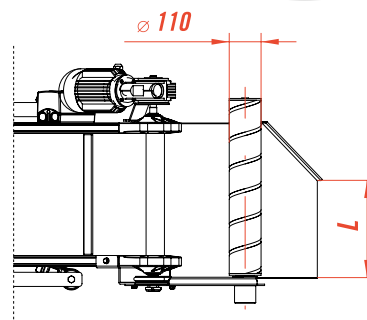
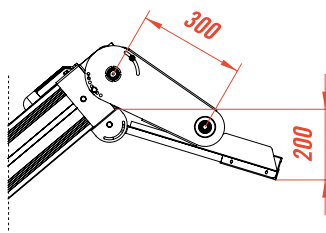
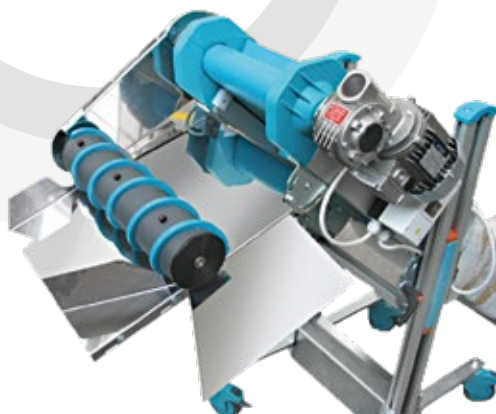
- In view of the particular functional characteristics of this separator, MB recommends that a test be performed at the offer stage using samples of the products and sprues to be separated



N-FSRV

Conveyor with spiral separator

→ SEPARATION

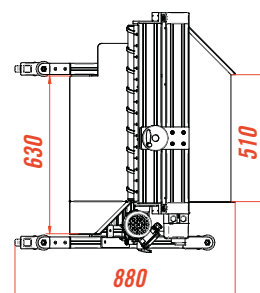
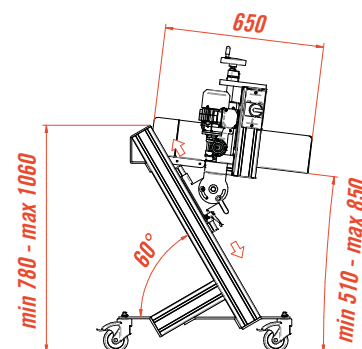
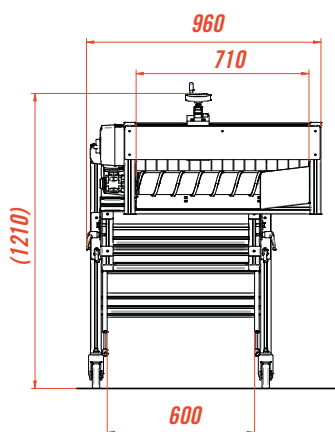


- The spiral of the separator roller is made of 10x10 mm section Pu profile
- The standard pitch of the spiral installed on the roller is 80 mm

In view of the particular functional characteristics of this separator, MB recommends that a test be performed at the offer stage using samples of the products and sprues to be separated

FSRV PLUS

Independent separator with spiral roller



DRIVE UNIT

- Power: 0.09 kW
- Rotation speed: 70 rpm
- Voltage: 400 V / 50 Hz

SR-SM-SQ

Independent separators with rotating drum

→ SEPARATION



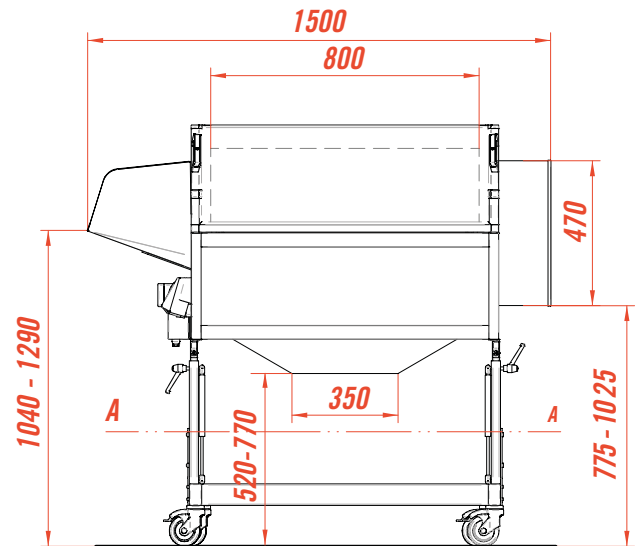
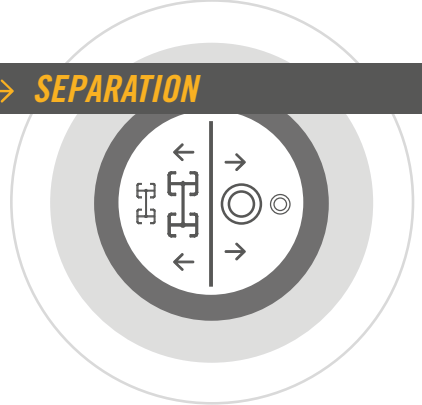
+ mod. SR



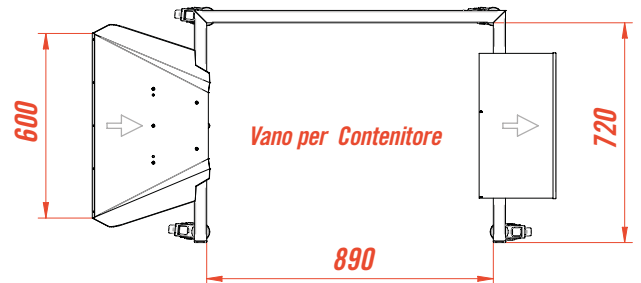
+ mod. SM



+ mod. SQ



Section A - A



+ WAVE Control

- Base adjustable in height and inclination
- Voltage: 400 Volts/50 Hz three-phase

- Rotary drum separator with MB mod. WAVE CONTROL panel to adjust the rotation speed



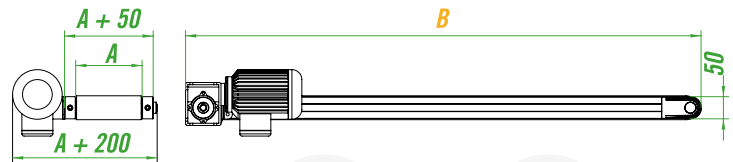
T50

Compact flat conveyor

→ PACKAGING



+ T50 A01



Standard version with side drive A01

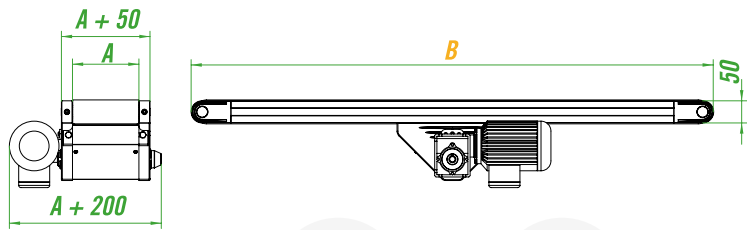
A

min 50 mm
max 500 mm

B

min 300 mm
max 3000 mm

+ T50 B01



Variant with central drive B01

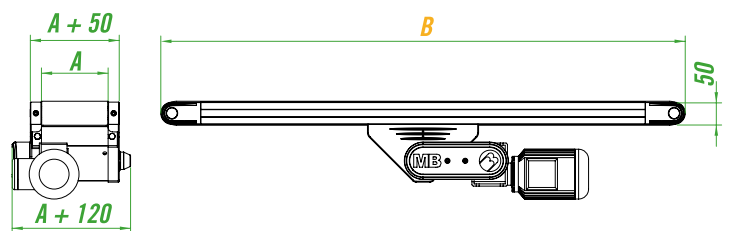
A

min 50 mm
max 500 mm

B

min 400 mm
max 3000 mm

+ T50 B02



Variant with central drive B02

A

min 50 mm
max 500 mm

B

min 400 mm
max 3000 mm

DRIVE UNIT

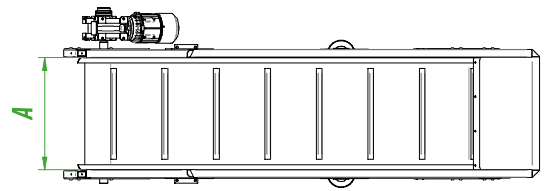
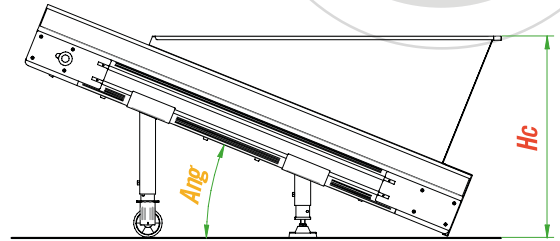
- Std installation: on left-hand side with fixed drive and shaft-mounted flange
- Worm reduction gear with life-long lubrication

CONVEYOR BELT

- PU coating hardness: 92 Shore A
- Contact temperature: -10 + 110°C
- Operating temperature: -10 + 90°C

MB110

→ ASSEMBLY



DRIVE UNIT

- Power 0.12 kW
- Speed 5.8 m / min fixed
- Voltage 400V / 50 Hz

A

min 100 mm
max 1000 mm

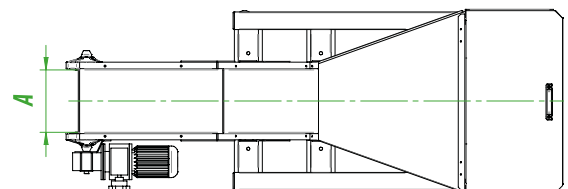
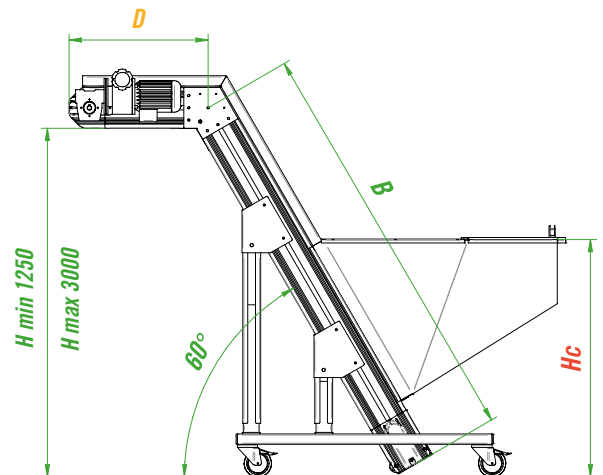
Ang.

min 15°
max 60°

Hc

min 500 mm
max 1200 mm

CPS | Elevators



DRIVE UNIT

- Power 0.12 kW
- Speed 12 m / min fixed
- Voltage 400V / 50 Hz

A

min 100 mm
max 600 mm

D

min 400 mm
max 1000 mm

Hc

min 500 mm
max 1200 mm

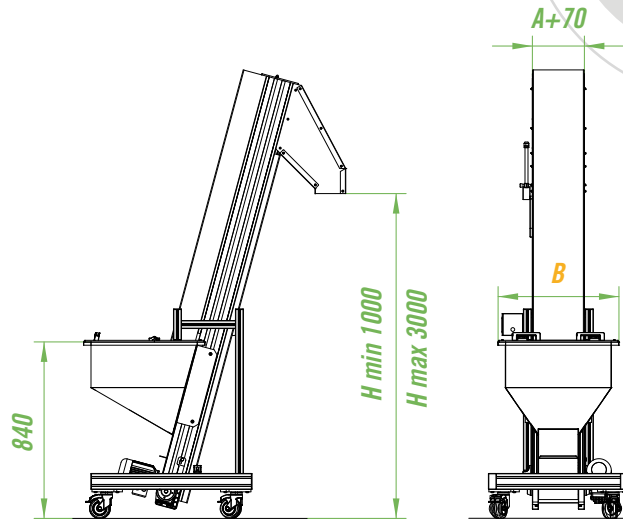


EV600 | Elevators



DRIVE UNIT

- Power 0.12 kW
- Speed 12 m / min fixed
- Voltage 400V / 50 Hz



A

200 mm

B

600 mm

Hopper cap.

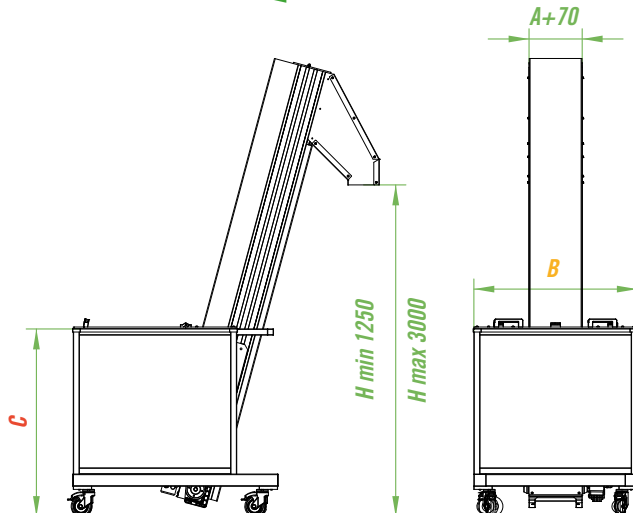
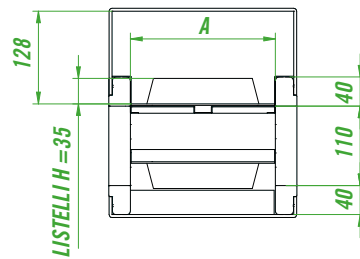
75 liters

EV800 - EV1000



DRIVE UNIT

- Power 0.12 kW
- Speed 12 m / min fixed
- Voltage 400V / 50 Hz



A

EV800 200 mm

EV801 300 mm

EV1000 300 mm

B

800 mm

800 mm

1000 mm

C

930 mm

930 mm

1130 mm

Hopper cap.

180 liters

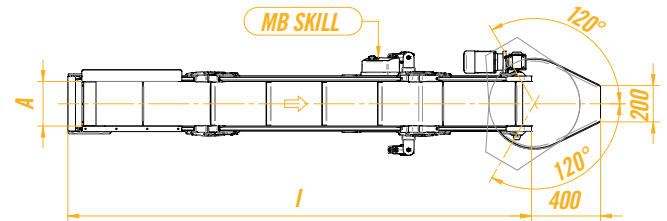
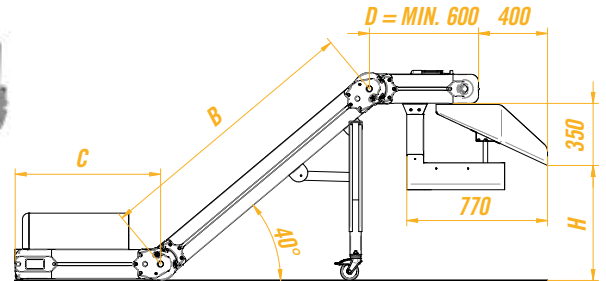
180 liters

400 liters

N-DUCK | Dispenser

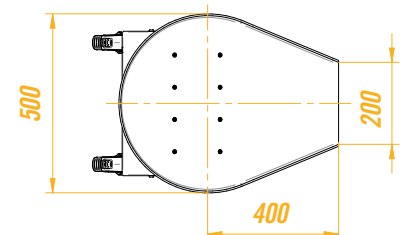
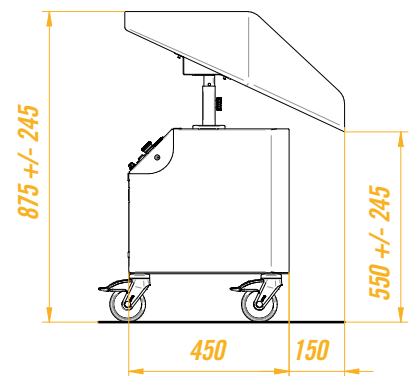
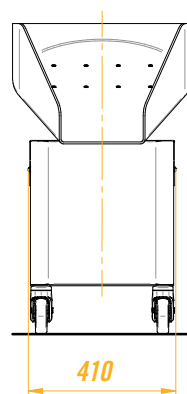
→ STORAGE SYSTEM


 UP TO
 8 BOXES



- Chute speed of rotation: 240° in approx. 2 sec.
- Voltage: 400 Volts/50 Hz
- Unloading point setting mode: Automatic or Manual
- Max. pulse counter per box: 4000

E-DUCK | Dispenser



- **Capacity:** max 2 kg per single product
- **Power:** 0.06 kW
- **Chute rotation:** 360° in 6.6 sec.
- **Voltage:** 400 Volts/50 Hz

- **Product filling modes:**
 - IMM cycle count (standard)
 - setting of container filling time

TVC-TVS-TVCD

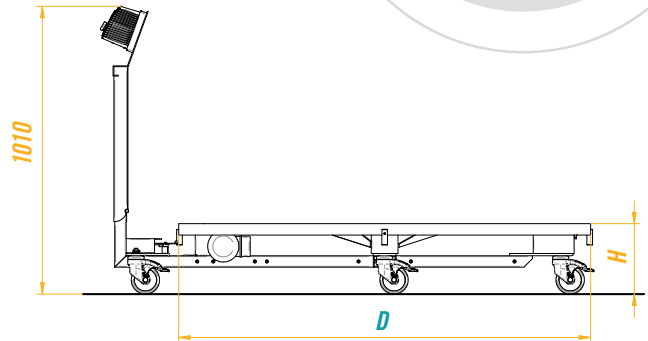
Rotating tables

→ STORAGE SYSTEM

UP TO
8 BOXES



+ TVC - rotating tables for containers

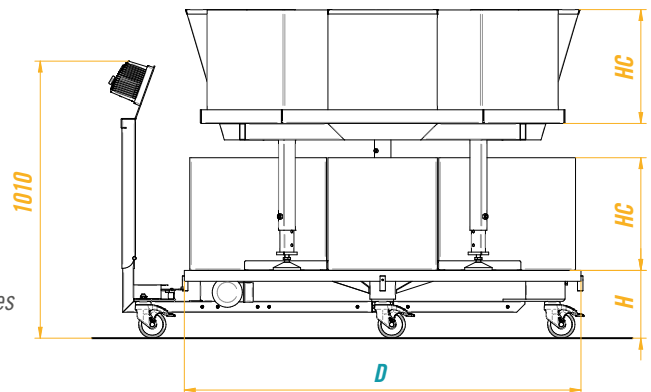


+ TVS rotating tables for bags

	D	H	Capacity	Rot. Speed
TV.2	1200 mm	250 mm	120 kg	2.2 rpm
TV.3	1450 mm	250 mm	140 kg	1.7 rpm



+ TVCD rotating tables on two levels



	D	H	Capacity	Rot. Speed
TVCD	1450 mm	250 mm	140 kg	1.7 rpm

TVCD = std. 8 containers with base 600x400

- Table disc made of 3-mm thick AISI 430 stainless steel sheet
- Rotation: 90° in ~ 6 sec.
- Power: 0.09 kW
- Voltage: 400 Volts/50 Hz

- Product filling modes: TVC-TVS:
 - IMM cycle count (standard)
 - setting of container filling time

- TVCD product filling modes:
 - filling of first container on upper level
 - table rotation and filling of next container on lower level by one of the 4 stainless steel chutes

CAR

Box filling device

→ STORAGE SYSTEM

↓ ↓ ↓
☒ ☒ ☒
MORE THAN
8 BOXES

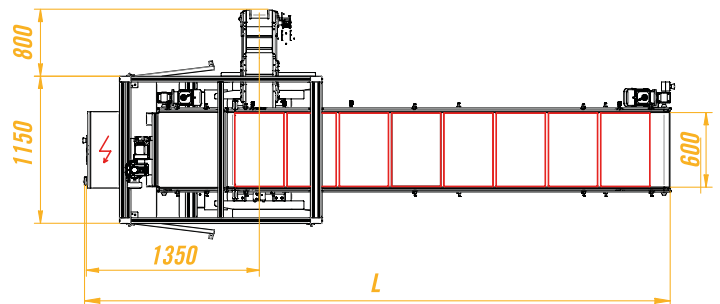


- Box filling device
- Sheet metal plate on which mobile platforms, fixed to a central chain, are able to slide
- Complete with mod. TV Control panel
- Voltage: 400 Volts/50 Hz
- Product filling modes:
 - press cycle count (standard)
 - setting of container filling time

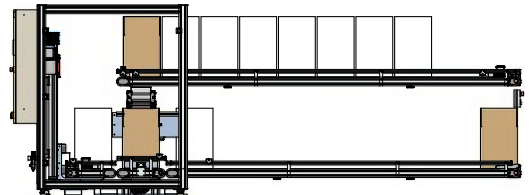
Model	Number of boxes (400X600 mm)	Length (mm)
CAR.8	8	3700
CAR.10	10	4350
CAR.12	12	5000
CAR.14	14	5650
CAR.16	16	6300
CAR.18	18	6950
CAR.20	20	7600

CAV

Vertical Carousels



- Carousel in LONGITUDINAL position in relation to the IMM (standard layout)
- *L = dimension L is established by the number of EMPTY containers to be positioned on the carousel



Standard operating logic

- The empty containers are placed on the upper conveyor
- The containers are filled on the upper conveyor or on the elevator belt
- The full containers are transferred to the lower level

- System logic controlled automatically by means of a PLC control panel, and governed by a system of photocells which detect the presence of boxes
- Optional: polycarbonate dust guard, which also protects the operator



T-CONVEYOR | Preform storage system

→ PET

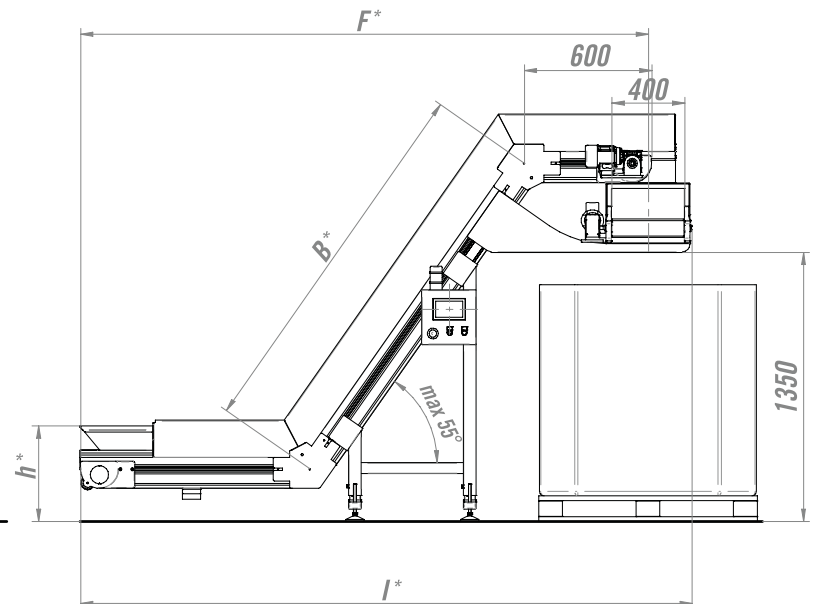
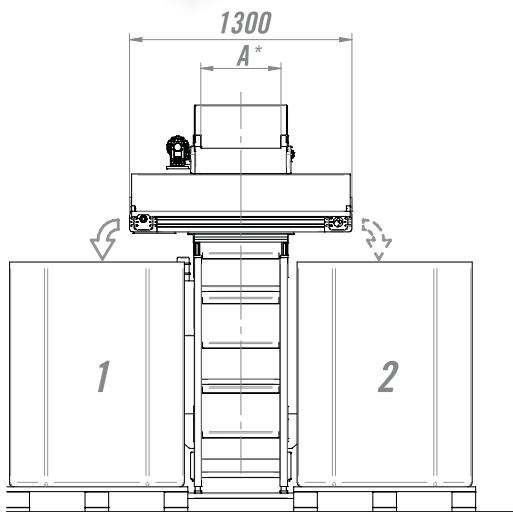


Use

- **The T-Conveyor is designed for:**
 - Collecting products from the IMM
 - Conveying and storing in purpose-made containers
 - Quantity management by counting the moulding cycles

Optional

- **The VIBRATING PLATFORMS (PV) are an important addition to the T-Conveyor system. Installed under the containers, they allow the product storage capacity to be increased from +5% to +12/15%**



Notes

- **Speed:** - CPT :17m/min
- Distributing conveyor 22m / min
- **Voltage:** 400V / 50 Hz

* Dimensions A-B-F-I indicated on the drawing are adapted on a case-by-case basis to suit customer requirements, as well as the dimensions of the IMM and containers

SOFT DROP

Air-operated container filling device for preforms

→ PET



→ → UP TO 40,000 PREFORMS/H

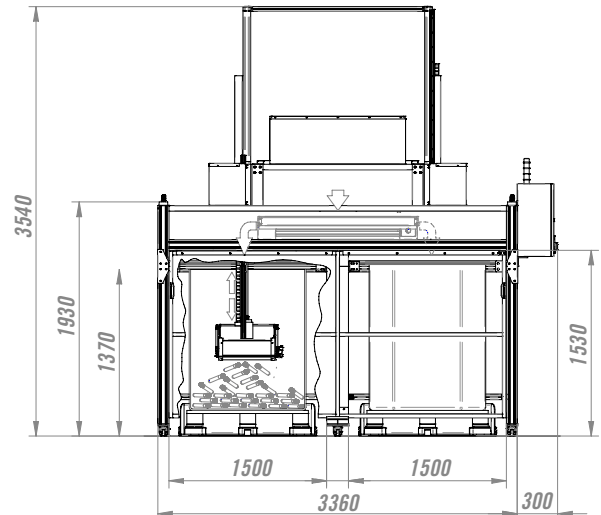
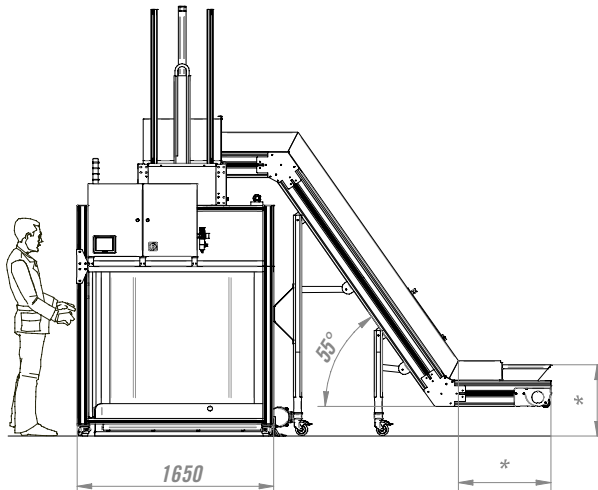


Use

- "Soft" storage of products in the containers.
- The quantity of products in the container is controlled by counting the IMM cycles or, on request, by weighing
- Suitable types of containers (max dim. 1200x1200mm)
 - Octabins
 - Plastic containers
 - Metal mesh crates

→ →

- Reinforced structure in 90x90 mm aluminium profiles
- Control panel housed in an IP 55 metal casing installed at the side for improved accessibility and safety
- Inspection doors to ground level
- Foot Master: special supports at floor level. Just one mechanism enables the machine to be locked to the floor but easily and quickly moved when required.



* dimensions determined by the type of IMM

Notes

- Tot. power: 1.5 kW
- Compressed air flow rate: 610 l/min
- Compressed air pressure: 6 Bar
- Voltage: 400 V/50 Hz

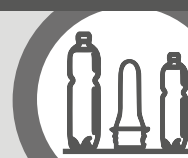
- PLC
- 7" Touch panel
- Ethernet remote assistance: optional
- Vertical axis drive: pneumatic



ELECTRIC SOFT DROP

Electrically operated
container filling device
for preforms

→ PET



→ → UP TO 85,000 PREFORMS/H

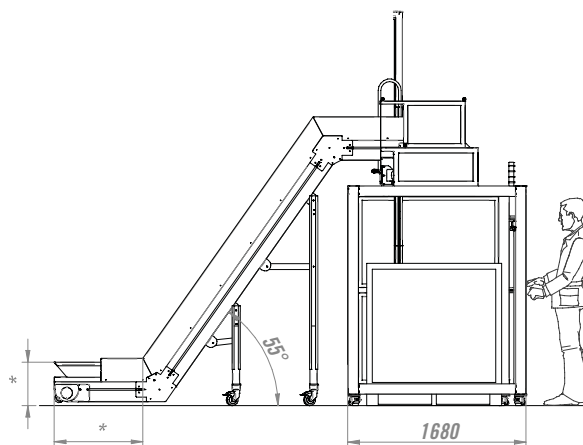
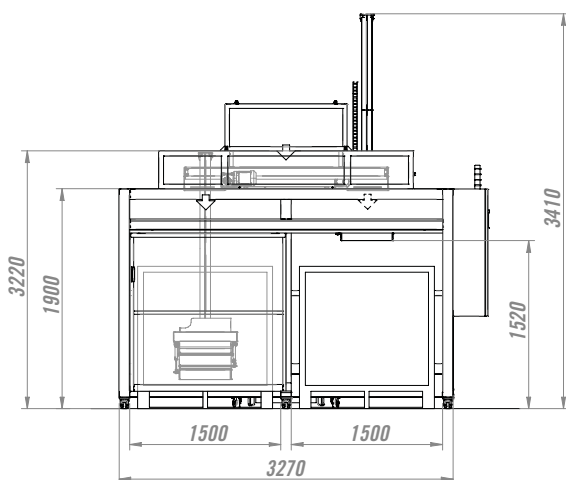


Use

- "Soft" storage of products in the container.
- The quantity of products in the container is controlled by counting the IMM cycles or, on request, by weighing
- Suitable types of containers (max dim. 1200x1200mm)
 - Octabins
 - Plastic containers
 - Metal mesh crates

→ →

- Reinforced structure in 90x90 mm aluminium profiles
- Control panel housed in an IP 55 metal casing installed at the side for improved accessibility and safety
- Inspection doors to ground level
- Rapid installation without re-assembly
- Foot Master: special supports at floor level. Just one mechanism enables the machine to be locked to the floor but easily and quickly moved when required.



*dimensions determined by the type of IMM

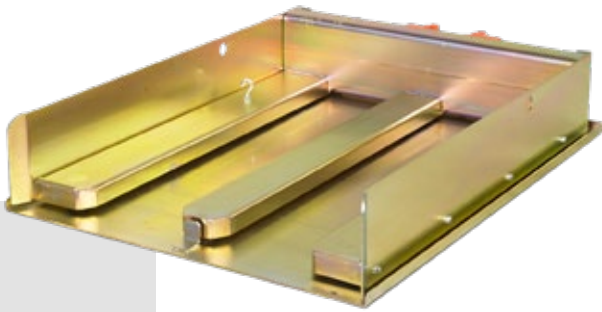
Notes

- Tot. power: 6 kW
- Compressed air flow rate: 8 l/min
- Compressed air pressure: 3 Bar
- Voltage: 400 V/50 Hz

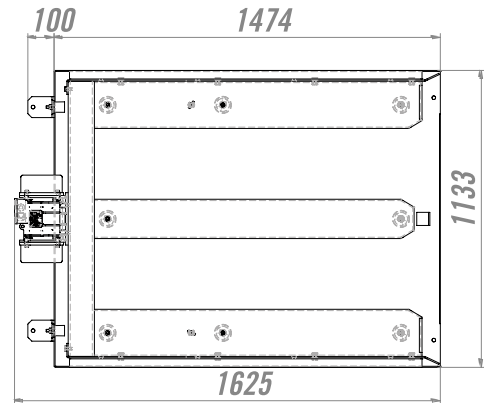
- PLC
- 7" Touch panel
- Ethernet remote assistance: **standard**
- Vertical axis drive: **electrical**



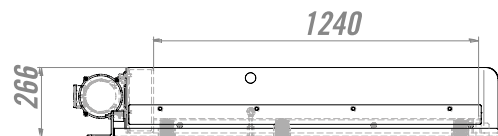
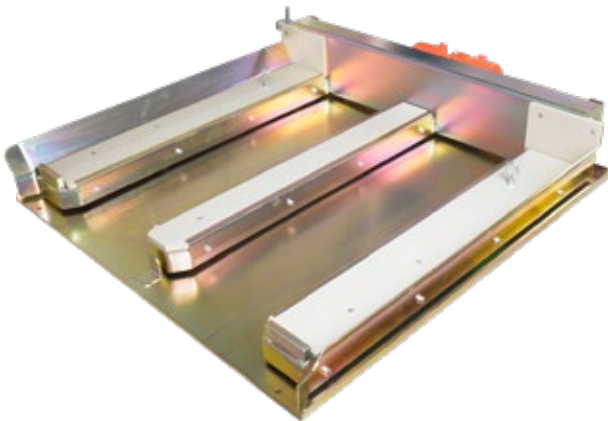
+ PV for OCTABINS



- For OCTABIN containers / Plastic containers
- Base: 800/1000 x 1200 x h = 1350 mm
- Max. weight of full container kg 400



+ PV for METAL CAGES



- For containers in METAL CAGING
- Base: 800/1000 x 1200 x h = 1350 mm
- Max. weight full container kg 400

Notes

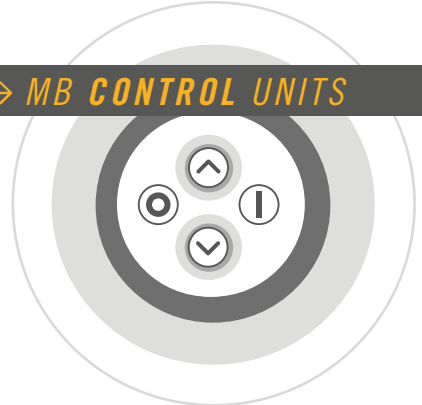
- Vibrating platforms made of sturdy bent and welded sheet metal treated by tropicalization process
- Equipped with variable intensity motor for optimized container filling.
- Standard dimensions of containers: base 800/1000 x 1200 mm h max. 1350 mm (including pallet)

- Integrated filling systems for PET preforms (Soft Drop, T-Conveyor)
- Essential accessory for optimizing the filling capacity of the containers and eliminating central heaps (pyramid effect)
- Increased filling capacity: from +5 to +12/15 %



MB Switch / MB Switch DUO / Wave

→ MB CONTROL UNITS



■ MB SWITCH SWITCH



■ MB SWITCH DUO DOUBLE SWITCH



■ WAVE Control THREE-PHASE INVERTER



Comparative table

- Supply voltage: **400 V / THREE-PHASE 50-60 Hz / IP 54**
- Max. power supported: **0.25 kW**
- Inverter function: **NO**
- Speed adjustment: **NO**
- Connection for remote activation: **YES**
- Relay output: **YES**

- Supply voltage: **400 V / THREE-PHASE 50-60 Hz / IP 54**
- Max. power supported: **0.25 kW per motor**
- Inverter function: **NO**
- Speed adjustment: **NO**
- Connection for remote activation: **YES**
- Relay output: **YES**

- Supply voltage: **400 V / THREE-PHASE 50-60 Hz / IP 54**
- Max. power supported: **0.20 kW**
- Inverter function: **YES**
- Speed adjustment: **YES**
- Connection for remote activation: **NO**
- Relay output: **NO**

Mission

- Standard three-phase On/Off switch
- Logic sequences for remote activation via potential free contact (e.g.: Feeder)

Mission

- Standard three-phase On/Off switch for controlling two motors
- Logic sequences for independent remote activation of each motor via potential-free contact (e.g.: Feeder)
- Separator mod. N-CPST

Mission

- 400V three-phase inverter
- Speed adjustment: (min 25 Hz - max 70 Hz)
- Acceleration and Deceleration ramps

Min. temperature - 10° C
Max. temperature + 45° C

Supply voltage tolerance:
+/- 10%

Programs available

- ■ ■ Electronic overcurrent protection function
- ■ ■ Low energy consumption
- ■ ■ Metallic connectors for plug-in wiring
- ■ M12 connectors for remote activation via potential-free contact

CONTROL PANELS

→ MB CONTROL UNITS

■ BASE Control



■ SKILL Control MONO



■ SKILL Control TRI



Comparative table

○ Supply voltage:
400 V / THREE-PHASE
50-60 Hz / IP 54

○ Max. power supported:
0.75 kW

○ Inverter function: **NO**

○ Direction reversal: **NO**

○ Standard IN / OUT: **2+2**

○ Expansion:
not available

○ Supply voltage:
110-230 V / SINGLE-PHASE
50-60 Hz / IP 54

○ Max. power supported:
0.25 kW

○ Inverter function: **YES**

○ Direction reversal: **YES**

○ Standard IN / OUT: **2+2**

○ Expansion:
not available

○ Supply voltage:
400 V / THREE-PHASE
50-60 Hz / IP 54

○ Max. power supported:
0.25 kW

○ Inverter function: **YES**

○ Direction reversal: **YES**

○ Standard IN / OUT: **2+2**

○ Expansion:
not available

Mission

○ Applications where an inverter is not required

○ Mod. MI mixers

Mission

○ When available power supply is 110/220V single-phase

○ Robot feeding conveyor

○ Conveyor complete with photocells and/or limit switches

Mission

○ When available power supply is 400V / three-phase

○ Robot feeding conveyor

○ Conveyor complete with photocells and/or limit switches

Min. temperature - 10° C

Max. temperature + 45° C

Power supply tolerance:

+/- 10%

Programs available

■ ON/OFF

■ ■ Inverter

■ ■ ■ Timed Pause Work

■ ■ ■ Pulse

■ ■ ■ Feeder

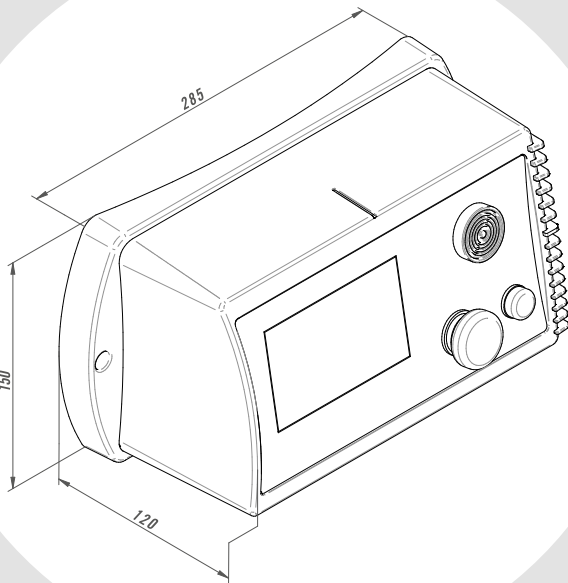
■ ■ ■ Metal Detector management program



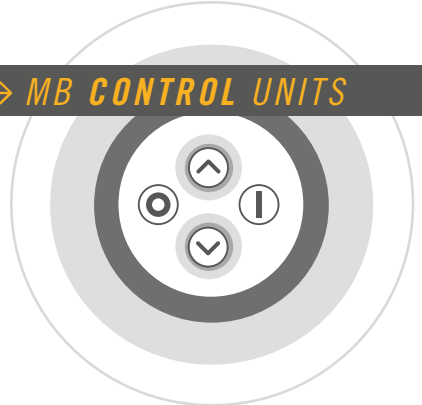


Optionals 4.0

- Expansion up to 10 inputs/5 outputs
- **Wi-fi and RJ45** for integration with company communication network
- Possibility of remote monitoring and programming via app.



- Min. temperature -10°C
- Max. Temperature +45°C
- Power supply tolerance +/- 10%



Main characteristics

- Power supply voltage: **400V / three-phase / 50-60 Hz / IP 54**
- Max. power supported: **0.75 kW**
- **Inverter** to adjust speed and direction reversal
- Number of standard inputs / outputs **2/2**
- **M12 connectors** for handling **2 Potential free contacts** in parallel with emergency push-button

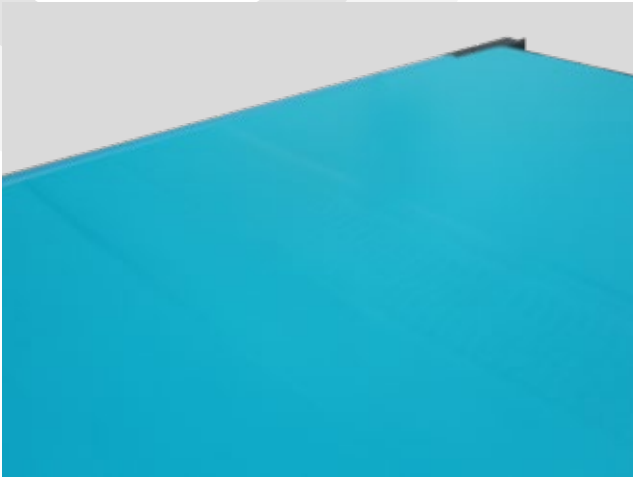
Standard equipment

- Mushroom-shaped emergency button
- Blue reset button
- Buzzer for audible alarm signals
- 3 (three) **M12 plug-in metallic connectors (standard)** for connecting:
 - 2 inputs
 - 2 outputs
 - 24V signal for sensor supply
 - 1 emergency input + 2 emergency outputs
- Can be expanded up to 10 inputs / 5 outputs (optional)
- **TFT colour touch screen display**

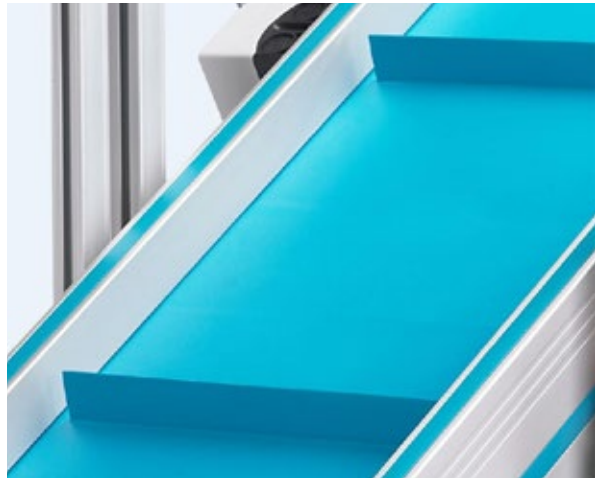
Programs

- Manual ON/OFF+ Inverter
- Timed Pause Work
- Pulse
- Feeder
- Metal Detector management program

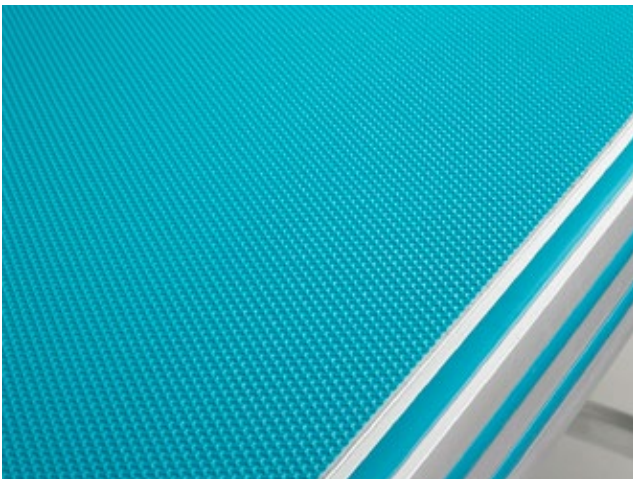
BELTS | Finishing details



○ STD SMOOTH BELT IN PU



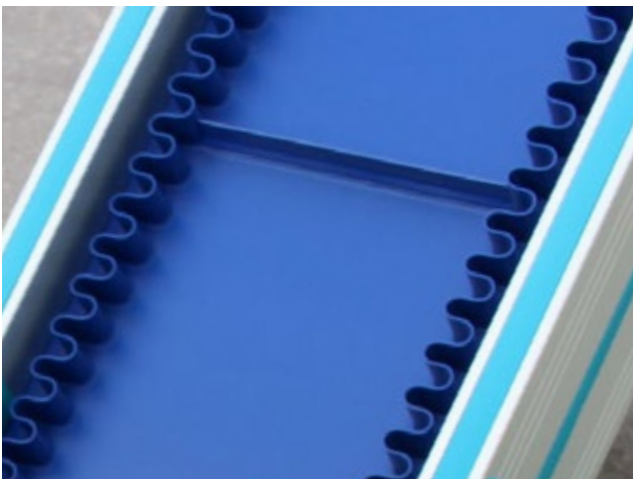
○ SMOOTH BELT IN PU WITH SLATS



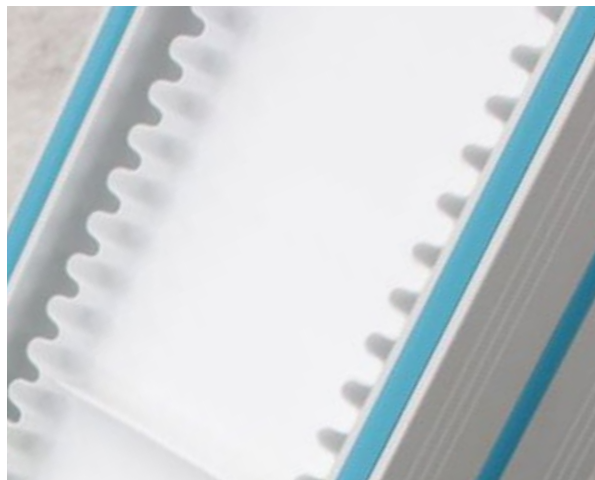
○ HIGH-GRIP BELT IN PU



○ WHITE BELT IN PU WITH SLATS



○ BLUE BELT IN PU WITH SPONDAFLEX



○ WHITE BELT IN PU WITH SPONDAFLEX

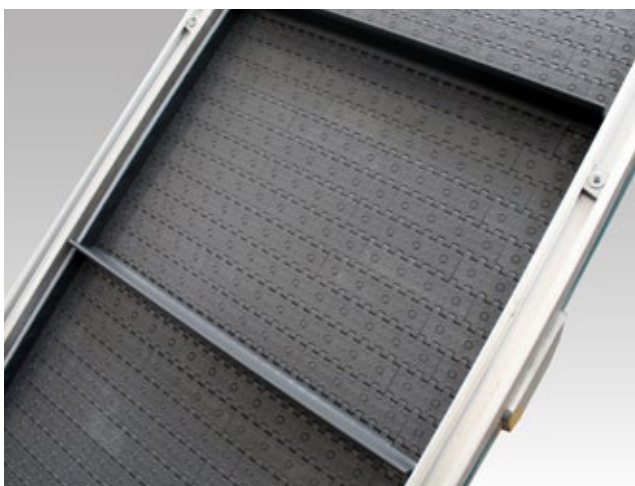


MB BELTS | Finishing details

○ STANDARD PLASTIC BELT



○ GREY PLASTIC BELT



○ PERFORATED PLASTIC BELT



○ STANDARD METAL BELT (HIGH-GRIP)



○ SMOOTH METAL BELT



○ HIGH-GRIP PERFORATED METAL BELT



○ METAL MESH BELT



NOTE:



MB CONVEYORS SOLUTIONS



MB CONVEYORS SRL

Via della Scienza, 7 - 36070 Brogliano (VI) - Italy / T: +39 0445 444555 - F: +39 0445 444599

sales@mbconveyors.com

mbconveyors.com

